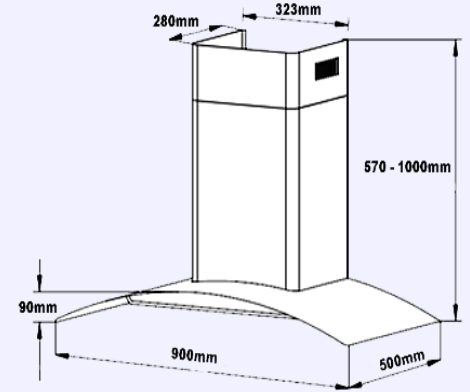
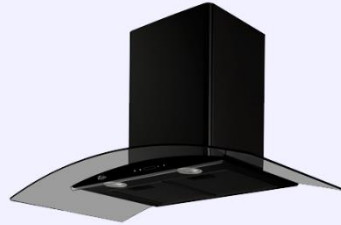


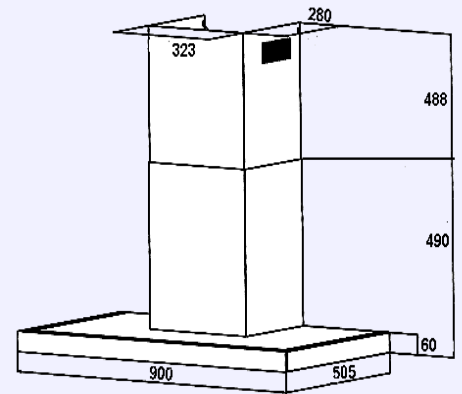
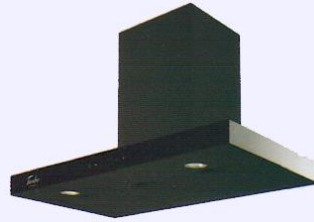
**CHIMNEY HOOD TAE96-BK**

- ❖ 2 x 1.5w LED light
- ❖ Black glass LCD touch control panel
- ❖ 3 speed touch control with booster function
- ❖ 2 pcs washable metal grease filter
- ❖ 2 pcs carbon filter
- ❖ Airflow: 20m<sup>3</sup>/min
- ❖ Noise level: 74dBa
- ❖ Wattage: 343w
- ❖ Cooker hood motor size: 340w
- ❖ Colour: Matt black with smoke black glass
- ❖ Minimum distance above cooking area: 650mm



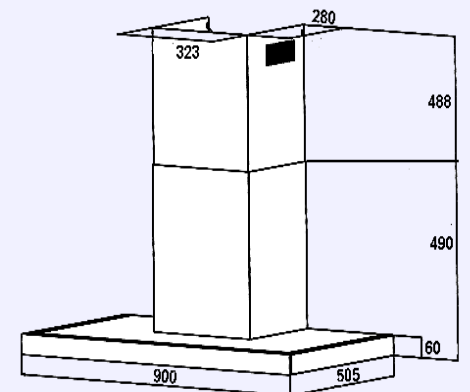
**CHIMNEY HOOD TAE91-BK**

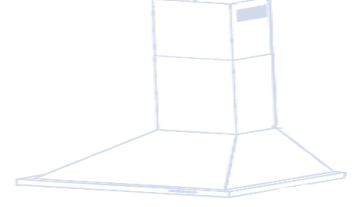
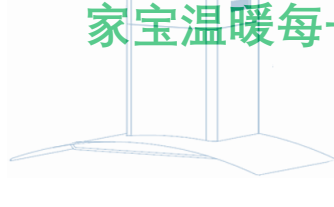
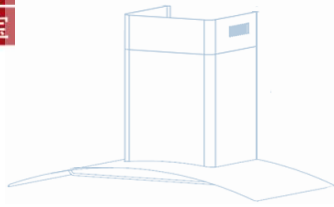
- ❖ 2 x 1.5w LED light
- ❖ Black glass LCD touch control panel
- ❖ 3 speed touch control with booster function
- ❖ 3 pcs washable metal grease filter
- ❖ 2 pcs carbon filter
- ❖ Airflow: 20m<sup>3</sup>/min
- ❖ Noise level: 74dBa
- ❖ Wattage: 343w
- ❖ Cooker hood motor size: 340w
- ❖ Available colour: Matt black
- ❖ Minimum distance above cooking area: 650mm



**CHIMNEY HOOD TAE91-SS**

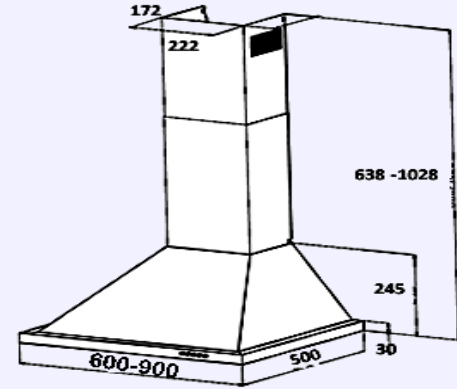
- ❖ 2 x 1.5w LED light
- ❖ Black glass LCD touch control panel
- ❖ 3 speed touch control with booster function
- ❖ 3 pcs washable metal grease filter
- ❖ 2 pcs carbon filter
- ❖ Airflow: 20m<sup>3</sup>/min
- ❖ Noise level: 74dBa
- ❖ Wattage: 343w
- ❖ Cooker hood motor size: 340w
- ❖ Available colour: Stainless steel
- ❖ Minimum distance above cooking area: 650mm





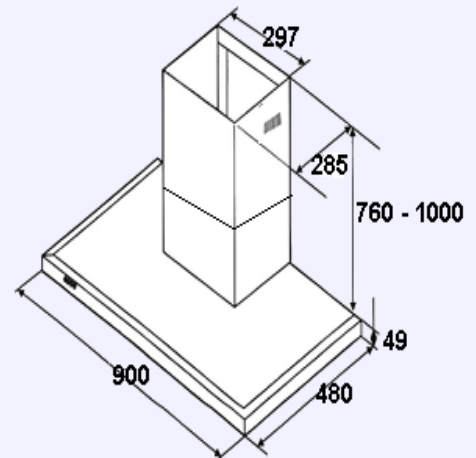
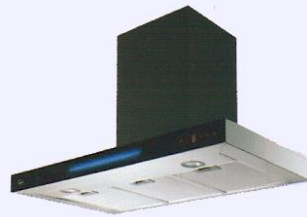
**CHIMNEY HOOD TAC2-60SS or TAC2-90SS**

- ❖ 1 x 2w LED light
- ❖ 3 speed push button control with booster function
- ❖ 3 pcs washable metal grease filter
- ❖ 2 pcs carbon filter
- ❖ Airflow: 20m<sup>3</sup>/min
- ❖ Noise level: 74dBa
- ❖ Wattage: 342w
- ❖ Cooker hood motor size: 340w
- ❖ Available colour: Stainless steel
- ❖ Minimum distance above cooking area: 650mm



**CHIMNEY HOOD TD8188-BK**

- ❖ 2 x 2w LED light
- ❖ Twin metal fan system
- ❖ Sensor touch 4 speed control (with intense speed)
- ❖ 3 pcs washable metal grease filter
- ❖ 2 pcs carbon filter
- ❖ Airflow: 15m<sup>3</sup>/min
- ❖ Noise level: 63dBa
- ❖ Wattage: 200w
- ❖ Cooker hood motor size: 196w
- ❖ Available colour: Glossy black
- ❖ Minimum distance above cooking area: 650mm



**CHIMNEY HOOD TD8096-90**

- ❖ 1 x 4w LED light
- ❖ 9 stepless speed changing
- ❖ Retractable smoke guide board
- ❖ Full sealed metal DC motor
- ❖ Metal fan with Telfon finish
- ❖ 1 pc washable metal grease filter
- ❖ 1 pc carbon filter mat
- ❖ Airflow: 30m<sup>3</sup>/min
- ❖ Noise level: ≤ 53dBa
- ❖ Wattage: 234w
- ❖ Cooker hood motor size: 230w
- ❖ Available colour: Stainless steel
- ❖ Minimum distance above cooking area: 650mm

