



TFM8627 – 7 FUNCTIONS OVEN

- ❖ Oven light
- ❖ Turbo fan
- ❖ Ventilation fan
- ❖ Electric grill
- ❖ Double layered glass door
- ❖ Separate thermostat control
- ❖ Easy to clean enamel cavity
- ❖ Energy Efficiency: Class A
- ❖ Capacity: 65 litres
- ❖ Grill element: 2.0kW
- ❖ Top element: 0.95kW
- ❖ Bottom element: 1.1kW
- ❖ Colour: Stainless Steel
- ❖ Accessories: 2 grids & 1 oil drip tray
- ❖ Oven Dim: W596 x D580 x H595mm
- ❖ Built-in: W560 x D580 x H589mm



TFM8628 – 8 FUNCTIONS OVEN

- ❖ Oven light
- ❖ Turbo fan
- ❖ Ventilation fan
- ❖ Electric grill
- ❖ Double layered glass door
- ❖ Separate thermostat control
- ❖ Easy to clean enamel cavity
- ❖ Electric programme
- ❖ 24 hours delay start
- ❖ Energy Efficiency: Class A
- ❖ Capacity: 65 litres
- ❖ Grill element: 2.0kW
- ❖ Top element: 0.95kW
- ❖ Bottom element: 1.1kW
- ❖ Circular element: 2.0kW
- ❖ Colour: Stainless Steel
- ❖ Accessories: 2 grids & 1 oil drip tray
- ❖ Oven Dim: W596 x D580 x H595mm
- ❖ Built-in: W560 x D580 x H589mm



TFM628T – 8 FUNCTIONS OVEN

- ❖ Oven light
- ❖ Turbo fan
- ❖ Ventilation fan
- ❖ Electric grill
- ❖ Double layered glass door
- ❖ Separate thermostat control
- ❖ Easy to clean enamel cavity
- ❖ Touch control with LCD
- ❖ 24 hours delay start
- ❖ Child Lock
- ❖ Energy Efficiency: Class A
- ❖ Capacity: 65 litres
- ❖ Grill element: 2.0kW
- ❖ Top element: 0.95kW
- ❖ Bottom element: 1.1kW
- ❖ Circular element: 2.0kW
- ❖ Colour: Stainless Steel
- ❖ Accessories: 2 grids & 1 oil drip tray
- ❖ Oven Dim: W596 x D580 x H595mm
- ❖ Built-in: W560 x D580 x H589mm



Conventional Cooking

Top and bottom elements are great for baking cakes and casseroles



Bottom Element

Slow-cooking and warming food is easy when using only the bottom element.



Fan + conventional cooking

Get great baking results every time with even distribution from both top and bottom heat elements as well as the fan.



Half Grill

Great for grilling small portions, this option heats using only the inner part of the top element of the oven.



Full grill

Perfect for large portions, this option heat using both the inner and outer part of the top element of the oven.



Fan grilling

An excellent option for quick roasting, the fan circulates the full grill's heat around the oven.



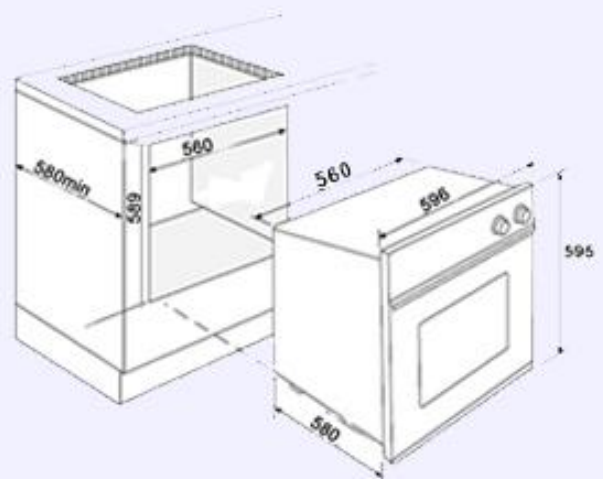
Defrost

Air circulates through the oven without heating, allowing food to defrost.



Fan Cooking

The most effective method of cooking, allowing for multiple items to be cooked without disruption the flavour.





TFX6603SS – 3 FUNCTIONS OVEN

- ❖ Oven Light
- ❖ Turnspit
- ❖ Cooling fan
- ❖ Electric grill
- ❖ Minute minder
- ❖ Safety thermostat
- ❖ Double glazed glass door with thermo-reflecting glass
- ❖ Fingerprint resistant stainless steel finish
- ❖ Easy to clean enamel cavity
- ❖ Energy Efficiency: Class A
- ❖ Capacity: 54 litres
- ❖ Grill element: 2.0kW
- ❖ Top element: 0.7kW
- ❖ Bottom element: 1.5kW
- ❖ Colour: Stainless Steel
- ❖ Accessories: 1 grid, 1 turnspit grid & 1 oil drip tray
- ❖ Oven Dim: W596 x D530 x H584mm
- ❖ Built-in : W564 x D560 x H584mm



TFX6605SS – 5 FUNCTIONS OVEN

- ❖ Oven Light
- ❖ Turbo fan
- ❖ Cooling fan
- ❖ Electric grill
- ❖ Analogue cut-off timer
- ❖ Safety thermostat
- ❖ Double glazed glass door with thermo-reflecting glass
- ❖ Fingerprint resistant stainless steel finish
- ❖ Easy to clean enamel cavity
- ❖ Energy Efficiency: Class A
- ❖ Capacity: 54 litres
- ❖ Grill element: 2.0kW
- ❖ Top element: 0.7kW
- ❖ Bottom element: 1.5kW
- ❖ Colour: Stainless Steel
- ❖ Accessories: 2 grids & 1 oil drip tray
- ❖ Oven Dim: W596 x D530 x H584mm
- ❖ Built-in : W564 x D560 x H584mm



TFE6608SS – 8 FUNCTIONS OVEN

- ❖ Oven Light
- ❖ Turbo fan
- ❖ Cooling fan
- ❖ Electric grill
- ❖ Electric programmer
- ❖ Safety thermostat
- ❖ Double glazed glass door with thermo-reflecting glass
- ❖ Fingerprint resistant stainless steel finish
- ❖ Easy to clean enamel cavity
- ❖ Energy Efficiency: Class A
- ❖ Capacity: 54 litres
- ❖ Grill element: 2.0kW
- ❖ Circular element: 2.0kW
- ❖ Top element: 0.7kW
- ❖ Bottom element: 1.5kW
- ❖ Colour: Stainless Steel
- ❖ Accessories: 2 grids & 1 oil drip tray
- ❖ Oven Dim: W596 x D530 x H584mm
- ❖ Built-in : W564 x D560 x H584mm



Conventional Cooking

Top and bottom elements are great for baking cakes and casseroles



Bottom Element

Slow-cooking and warming food is easy when using only the bottom element.



Half Grill

Great for grilling small portions, this option heats using only the inner part of the top element of the oven.



Fan Cooking

The most effective method of cooking, allowing for multiple items to be cooked without disruption the flavour.



Fan + conventional cooking

Get great baking results every time with even distribution from both top and bottom heat elements as well as the fan.



Fan + bottom element

Perfect for heating pre-cooked food, the bottom element's heat is circulated around the oven by the fan.



Fan grilling

An excellent option for quick roasting, the fan circulates the full grill's heat around the oven.



Defrost

The fan circulates through the oven without heating, allowing food to defrost.



Turnspit

Perfect for large portions, this option heats using the inner part of the top element and the food rotates while cooking to provide an even cooking.

